



Applications

Designed for use with Dudley concealed cisterns and Illision A and V frames.

Water Saving

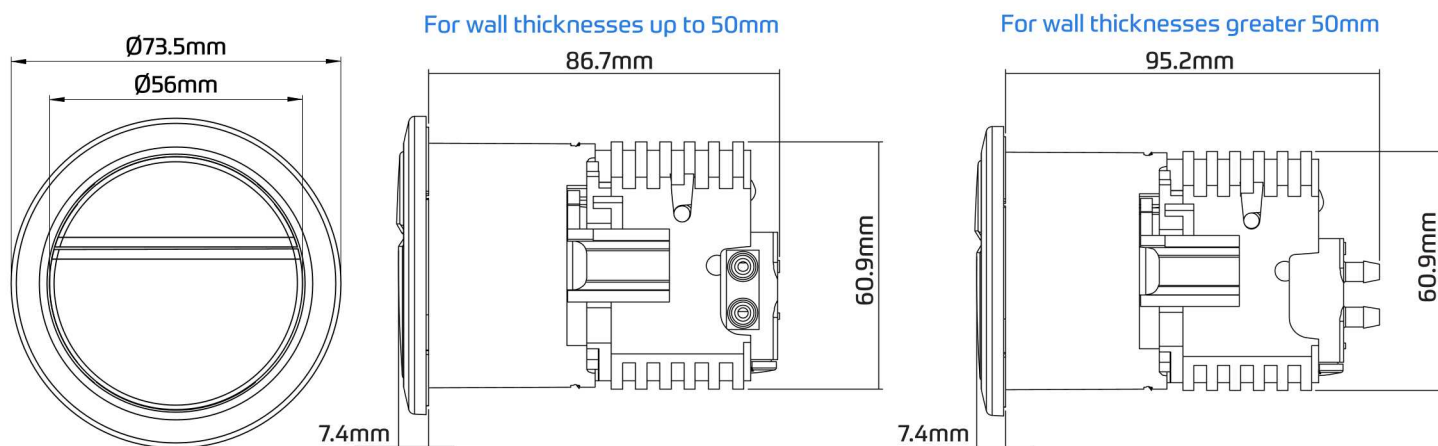
~ Dualflush operation provides reduced flush for enhanced water saving

Features

- ~ Dualflush
- ~ 73.5mm diameter pushbutton
- ~ Chrome plated finish
- ~ Smooth pneumatic operation
- ~ Can be positioned up to 250mm from the cistern
- ~ Standard supplied button is suitable for wall thicknesses up to 50mm. For wall thicknesses greater than 50mm use the alternate code



Dimensional Data



Technical Data

Wall Thickness	12-50mm
Installation Aperture	$\text{Ø}62\text{-}65\text{mm}$ hole
Fixing Type	Locking Collet (Supplied)
Button Operation	Pneumatic
Flush Option	Dual Flush
Product Code	372937 [<50mm Boxed], 372873 [<50mm Bagged], 375698 [>50mm Bagged]



Applications

Designed for use with Dudley concealed cisterns and Illision A and V frames.

Water Saving

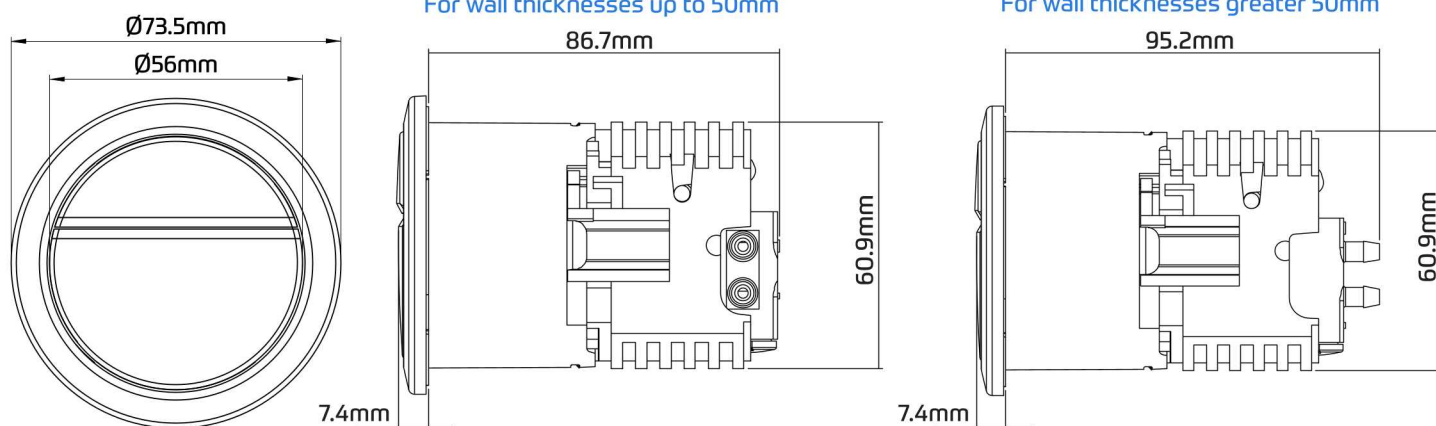
~ Dualflush operation provides reduced flush for enhanced water saving

Features

- ~ Dualflush
- ~ 73.5mm diameter pushbutton
- ~ Brushed Nickel finish
- ~ Smooth pneumatic operation
- ~ Can be positioned up to 250mm from the cistern
- ~ Standard supplied button is suitable for wall thicknesses up to 50mm. For wall thicknesses greater than 50mm use the alternate code



Dimensional Data



Technical Data

Wall Thickness	12-50mm
Installation Aperture	Ø62-65mm hole
Fixing Type	Locking Collet (Supplied)
Button Operation	Pneumatic
Flush Option	Dual Flush
Product Code	372871 [<50mm Bagged], 375701 [>50mm Bagged]



Applications

Designed for use with Dudley concealed cisterns and Illision A and V frames.

Water Saving

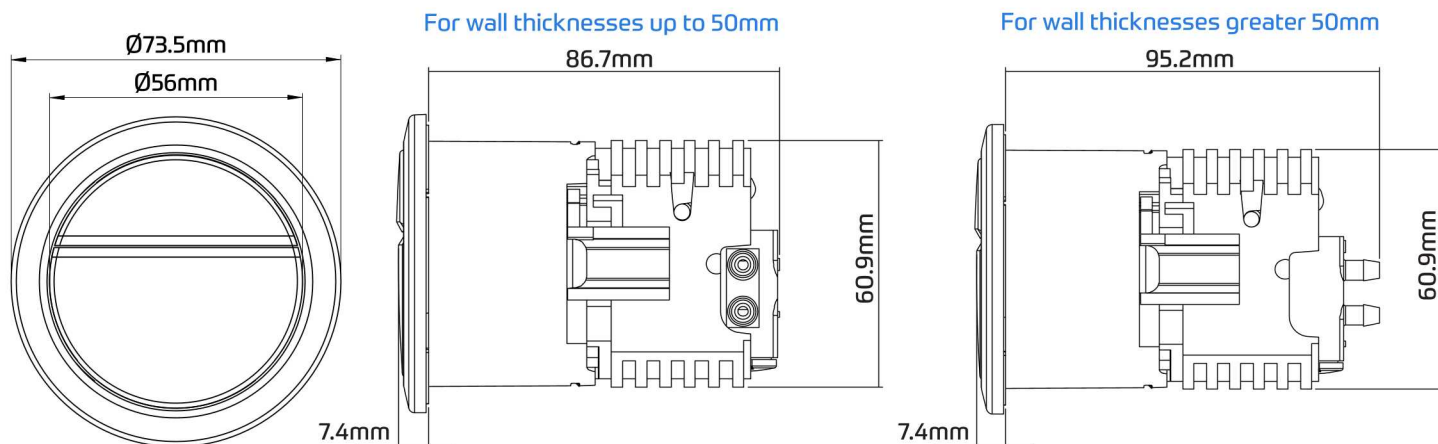
~ Dualflush operation provides reduced flush for enhanced water saving

Features

- ~ Dualflush
- ~ 73.5mm diameter pushbutton
- ~ Matt Black finish
- ~ Smooth pneumatic operation
- ~ Can be positioned up to 250mm from the cistern
- ~ Standard supplied button is suitable for wall thicknesses up to 50mm. For wall thicknesses greater than 50mm use the alternate code



Dimensional Data



Technical Data

Wall Thickness	12-50mm
Installation Aperture	$\text{Ø}62\text{-}65\text{mm}$ hole
Fixing Type	Locking Collet (Supplied)
Button Operation	Pneumatic
Flush Option	Dual Flush
Product Code	372938 [<50mm Bagged], 375699 [>50mm Bagged]



Applications

Designed for use with Dudley concealed cisterns and Illision A and V frames.

Water Saving

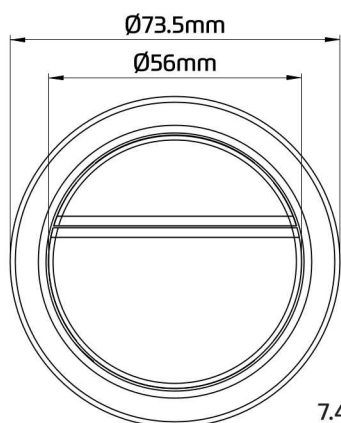
~ Dualflush operation provides reduced flush for enhanced water saving

Features

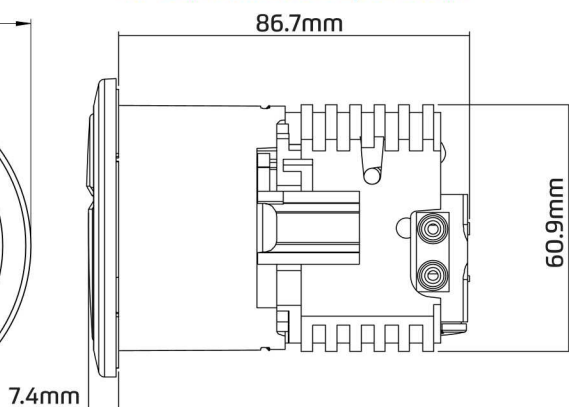
- ~ Dualflush
- ~ 73.5mm diameter pushbutton
- ~ Soft Touch Grey finish
- ~ Smooth pneumatic operation
- ~ Can be positioned up to 250mm from the cistern
- ~ Standard supplied button is suitable for wall thicknesses up to 50mm. For wall thicknesses greater than 50mm use the alternate code



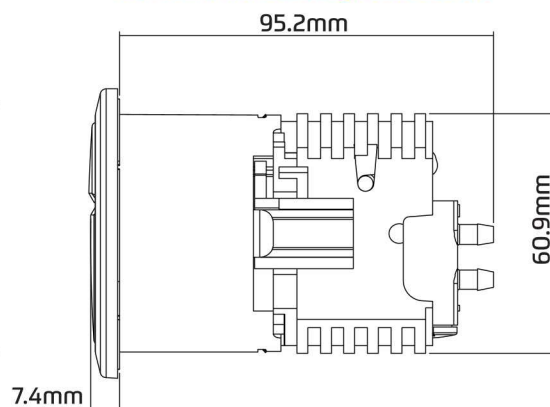
Dimensional Data



For wall thicknesses up to 50mm



For wall thicknesses greater 50mm



Technical Data

Wall Thickness	12-50mm
Installation Aperture	Ø62-65mm hole
Fixing Type	Locking Collet (Supplied)
Button Operation	Pneumatic
Flush Option	Dual Flush
Product Code	373557 [<50mm Bagged], 375700 [>50mm Bagged]



Applications

Designed for use with Dudley concealed cisterns and Illision A and V frames.

Water Saving

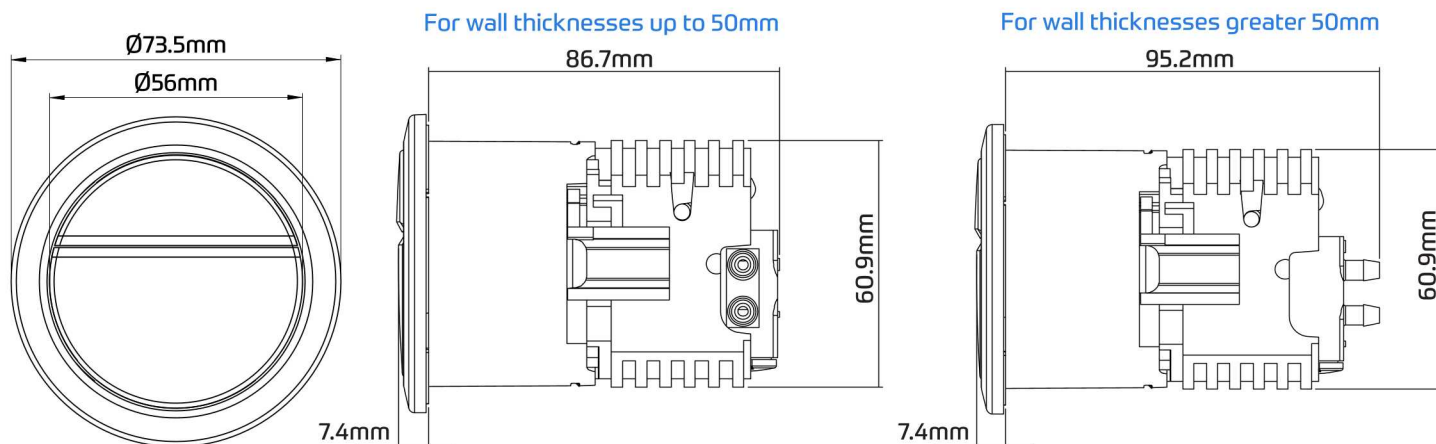
~ Dualflush operation provides reduced flush for enhanced water saving

Features

- ~ Dualflush
- ~ 73.5mm diameter pushbutton
- ~ Satin Brass finish
- ~ Smooth pneumatic operation
- ~ Can be positioned up to 250mm from from the cistern
- ~ Standard supplied button is suitable for wall thicknesses up to 50mm. For wall thicknesses greater than 50mm use the alternate code



Dimensional Data



Technical Data

Wall Thickness	12-50mm
Installation Aperture	Ø62-65mm hole
Fixing Type	Locking Collet (Supplied)
Button Operation	Pneumatic
Flush Option	Dual Flush
Product Code	375056 [<50mm Bagged] 376165 [>50mm Bagged]